

BIFOKAL

BIFOKAL



Target group

Presbyopes who for certain reasons cannot use a progressive lens. Age 45+.

Technology

Traditional conventional Technology

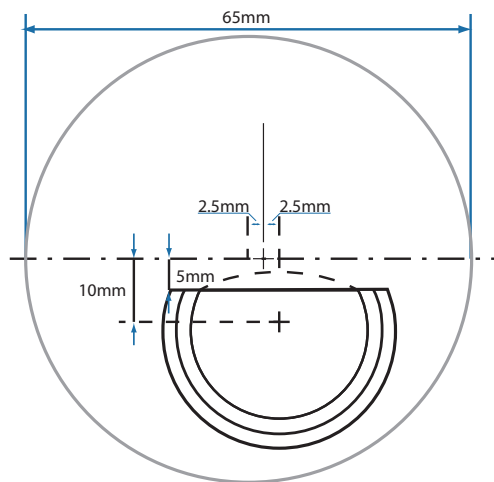
Diopters ordering

1/4

Method of production

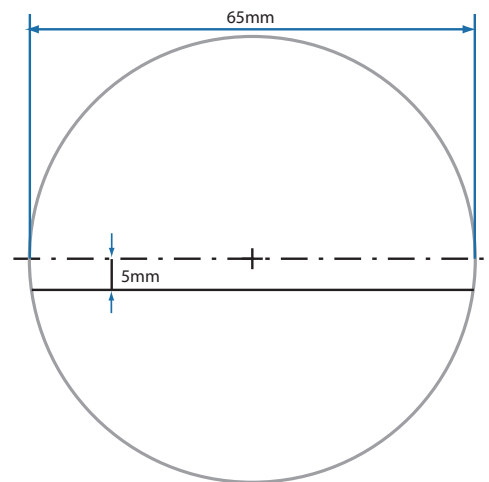
A proximity segment is molded into the front of the lens. Internal spherocylindrical processing.

BIFOKAL



CT-28, FT-28, FT-35, FT-45

EXECUTIVE BIFOKAL



E-Line